

### TECHNICAL DATA

DESIGN &amp; MANUFACTURING STD.:

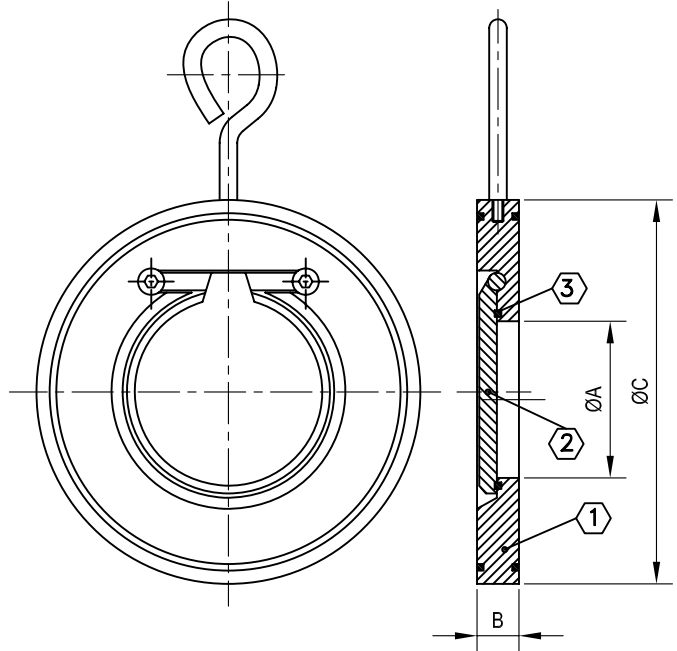
TESTING &amp; INSPECTION STD.:

PRESSURE CLASS: ND 10, ND 16 &  
ND 40, ASA 150#, 300#



SR. NO.	PART NAME	MATERIAL	QTY.
01	BODY	SGI / WCB / CF8 / CF8M	1
02	DISC	WCB / CF8 / CF8M	1
03	SEAT	EPDM / VITON / NITRILE NEOPRENE / PTFE / GFT	1

SIZE	A	B	C
50	30	14	109
65	40	14	129
80	52	14	144
100	71	14	164
125	93	16	194
150	114	19	220
200	157	28.5	274
250	195	28.5	329
300	230	38	379
350	270	44.5	438
400	310	51	489
450	360	60.5	538
500	406	63.5	593
600	490	70	695



PRIMARY SERVICE RATING & TEST PRESSURE			
CLASS	WORKING TEMP.	HYD. TEST PRESSURE	
		BODY	SEAT
150	20°C TO 180°C	22 Kg / Cm <sup>2</sup>	16 Kg / Cm <sup>2</sup>

SUITABLE FOR				
STEAM	WATER	OIL	AIR	GASES
	●	●		

ALL DIMENSION ARE IN MM

VALVE TESTING	:- API598/ANSI B 16
DESIGN & F TO F DIMENSIONS	:- API 6D/ANSI B 16
FLANGE STANDARD CONFORMITY	:- ANSI 150,DIN PN 10 & PN 16, BS 10 TABLE D & E
PRESSURE RATING	:- PN 16 (MAX.)
OPERATING TEMPERATURE RANGE	:- -25 C TO 200 C (DEPENDING ON MOC)