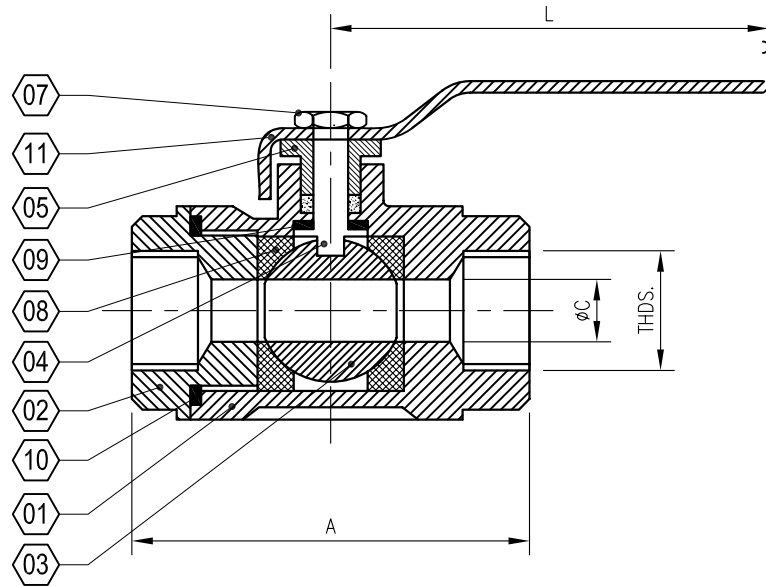


BALL VALVE SINGLE PIECE (SCREW END)

TECHNICAL DATA

DESIGN & MANUFACTURING STD. : B5 5351
 TESTING & INSPECTION STD. : B5 5146 / API 598
 FACE TO FACE : AS PER ANSI B 16.10
 END CONNECTIONS : SCREWED : BSP / BSPT / NPT
 SOCKET WELD ENDS TO ANSI B 16.11



SR. NO.	PART NAME	MATERIAL	QTY.
01	BODY	C.I. / C.S. / S.S.202 / 304 / 316	1
02	BODY CONNECTOR	C.I. / C.S. / S.S.202 / 304 / 316	1
03	BALL	S.S. 202 / 304 / 316	1
04	STEM	S.S. 202 / 304 / 316	1
05	GLAND BUSH	PTFE	1
06	GLAND PACKING	PTFE	
07	LEVER NUT	S.S. 202 / 304 / 316 / M.S.	1
08	SEAT RING	PTFE	2
09	STEM SEAL	CARBON FILLED PTFE	2
10	BODY SEALANT RING	PTFE	1
11	LEVER	M.S. / S.S.	1

CLASS - 150			
SIZE	A	ØC	L
15	64	13	125
20	67	18	125
25	75	25	125
40	100	38	175
50	124	50	175

ALL DIMENSION ARE IN MM

PRIMARY SERVICE RATING & TEST PRESSURE			
CLASS	HYD. TEST PRESSURE		
	BODY	SEAT	TEMP.
150	32 Kg / Cm ²	22 Kg / Cm ²	200° C
AIR TEST - SEAT 7 Kg / Cm ²			

SUITABLE FOR				
STEAM	WATER	OIL	AIR	GASES
●	●	●	●	