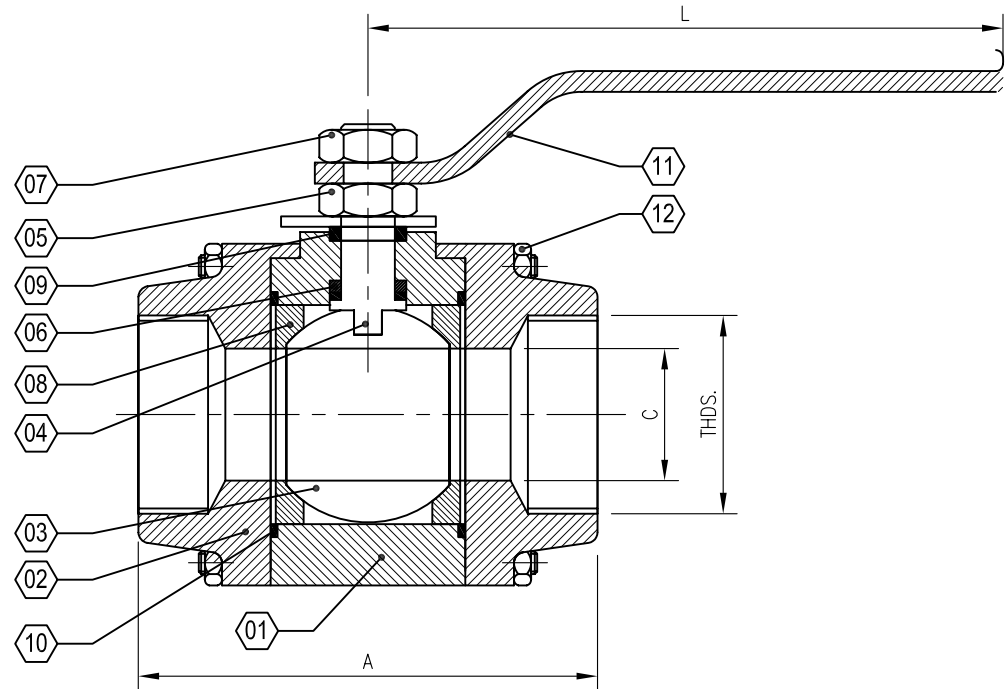


TECHNICAL DATA

DESIGN & MANUFACTURING STD.: BS 5351, API 602

TESTING & INSPECTION STD.: API 598 / BS 5146

END CONNECTIONS : SCREWED : BSP, BSPT, NPT, SOCKET WELD



SR. NO.	DESCRIPTION	MATERIAL	QTY.
01	BODY	A-105 / 304 / 316	1
02	BODY CONNECTOR		2
03	BALL	S.S. 304 / 316	1
04	STEM	S.S. 304 / 316	1
05	GLAND NUT	S.S. 304 / 316	1
06	GLAND BUSH	PTFE	1
07	LOCK NUT	S.S. 304 / 316 / M.S.	1
08	SEAT RING	CARBON FILLED PTFE	2
09	STEM SEAL	CARBON FILLED PTFE	1
10	BODY SEALANT RING	PTFE	2
11	LEVER	M.S. / S.S.	1
12	STUD & NUT	193 B7 / S.S.	4

CLASS - 800			
SIZE	A	ØC	L
15	85	12.5	125
20	85	12.5	125
25	105	18	155
40	125	32	230
50	130	38	

ALL DIMENSION ARE IN MM

PRIMARY SERVICE RATING & TEST PRESSURE			
CLASS	HYD. TEST PRESSURE		
	BODY	SEAT	TEMP.
800	70 Kg / Cm ²	52 Kg / Cm ²	200° C
AIR TEST - SEAT 7 KG			

SUITABLE FOR				
STEAM	WATER	OIL	AIR	GASES
●	●	●	●	●