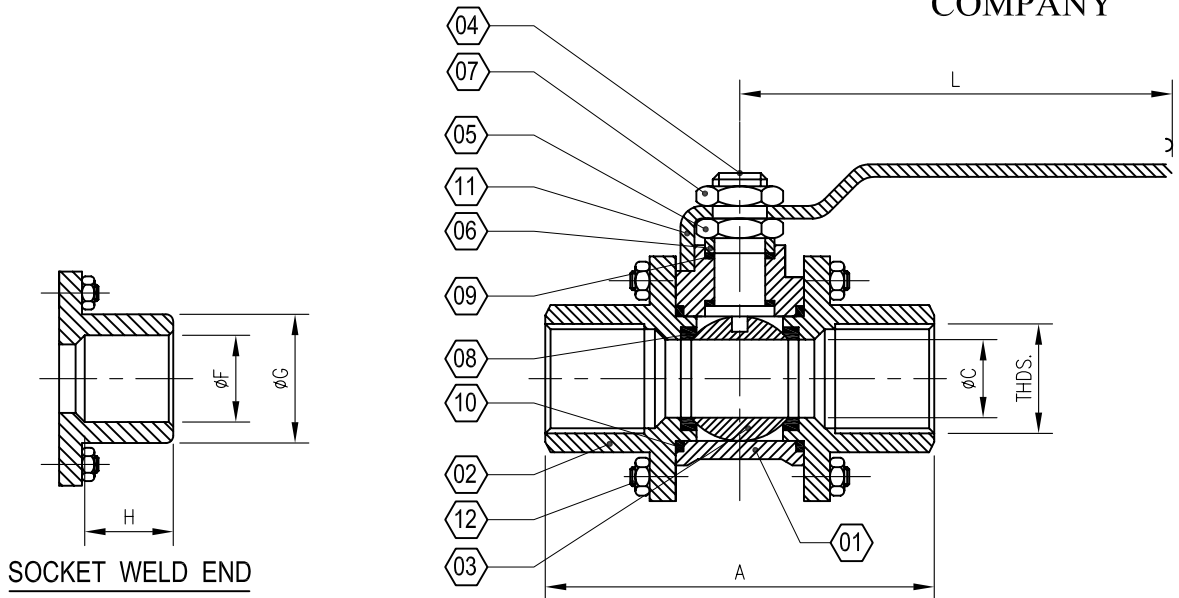


BALL VALVE THREE PIECE (SCREW END)

TECHNICAL DATA

DESIGN & MANUFACTURING STD.: BS 5351, API 602
 TESTING & INSPECTION STD.: API 598 / BS 5146
 END CONNECTIONS: SCREWED: BSP, BSPT, NPT, SOCKET WELD
 SOCKET WELD & ENDS TO: ANSI B 16.11



SR. NO.	DESCRIPTION	MATERIAL	QTY.
01	BODY	C.I. / C.S. / S.S.304 / 316	1
02	BODY CONNECTOR		2
03	BALL	S.S. 304 / 316	1
04	STEM	S.S. 304 / 316	1
05	GLAND NUT	S.S. 304 / 316 / M.S.	1
06	GLAND BUSH	PTFE	1
07	LOCK NUT	S.S. 304 / 316 / M.S.	1
08	SEAT RING	PTFE	2
09	STEM SEAL	CARBON FILLED TEFLON	1
10	BODY SEALANT RING	PTFE	2
11	LEVER	M.S. / S.S.	1
12	STUD & NUT	M.S. / S.S.	4

CLASS - 150						
SIZE	A	ØC	L	SOCKET WELD END		
				F	G	H
15	70	13	155	22.4	29	12.7
20	75	19	160	27.3	35	19
25	82	25	160	34.1	43	22
40	105	38	178	49	58	22
50	120	50	178	61.3	71	23
65	144	64	190	76	105	23
80	160	79	190	90	108	23

ALL DIMENSION ARE IN MM

PRIMARY SERVICE RATING & TEST PRESSURE				
CLASS	WORKING PRESSURE.	HYD. TEST PRESSURE		
		BODY	SEAT	TEMP.
150	150 PSIG	32 Kg / Cm ²	22 Kg / Cm ²	200°F
AIR TEST - SEAT 7 Kg / Cm ²				

SUITABLE FOR				
STEAM	WATER	OIL	AIR	GASES
●	●	●	●	●