

BALL VALVE TWO PIECE (FLANGED END)

TECHNICAL DATA

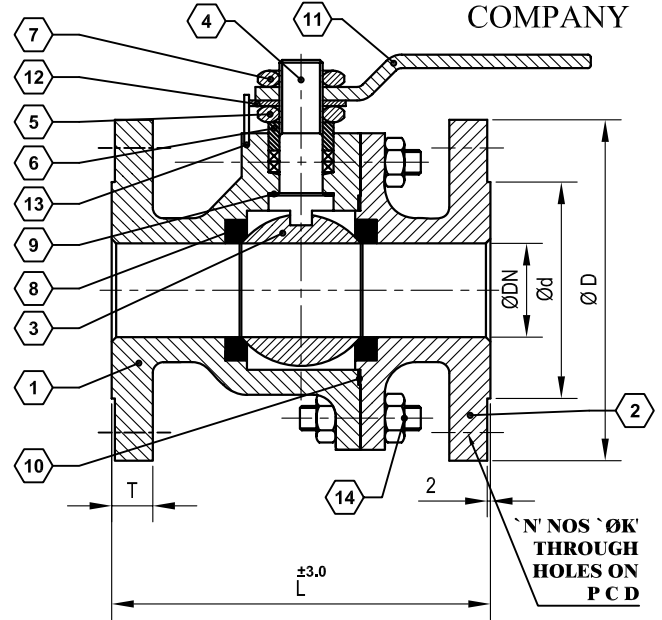
DESIGN & MFG. STD. :- BS 5351

FACE TO FACE STD. :- ANSI B 16.10

END CONNECTIONS :- FLANGED AS PER ANSI B 16.5



No.	DESCRIPTION	MATERIAL	QTY.
1	BODY	C.I. / CS / CF8 / CF8 M	1
2	BODY CONNECTION	C.I. / CS / CF8 / CF8 M	1
3	BALL	S.S. 304 / S.S. 316	1
4	STEM	S.S. 304 / S.S. 316	1
5	GLAND NUT	S.S. 304 / S.S. 316 / M.S.	1
6	GLAND BUSH	PTFE	1
7	LOCK NUT	S.S. 304 / S.S. 316 / M.S.	1
8	SEAT RING	P.T.F.E. / G.F.T.	2
9	STEM SEAL	CARBON FILLED TEFLON	1
10	BODY SEALANT RING	P.T.F.E. / G.F.T.	1
11	LEVER	M.S.	1
12	STOP	INTEGRAL	1
13	STOPPER PIN	S.S.	1
14	STUD & NUT	M.S. / S.S.	--



CLASS - 150							
ØDN	L	ØD	Ød	PCD	T	N	K
15	108	89	35	60.4	11	4	16
20	118	98	43	69.8	12.7	4	16
25	127	108	51	79.2	14.2	4	16
32	140	117	64	88.9	15.9	4	16
40	165	127	73	98.5	17.5	4	16
50	178	152	92	120.6	19	4	19
65	191	178	105	139.7	22.3	4	19
80	203	190	127	152.4	24	4	19
100	229	229	157	190.5	24	8	19
150	267	279	216	241	25	8	22

ALL DIMENSION ARE IN MM

CLASS - 300							
ØDN	L	ØD	Ød	PCD	T	N	K
15	140	95	35	66.5	14.2	4	16
20	152	117	43	82.5	15.7	4	19
25	165	124	51	88.9	17.5	4	19
32	178	133	64	98.5	19	4	19
40	190.5	155.5	73	114.3	20.5	4	22
50	216	165.5	92	127	22	8	19
65	241	190.5	105	149.3	25	8	22
80	282.5	209	127	168	28.5	8	22
100	305	254	157	200	32	8	22
150	403.5	317.5	216	270	36.5	12	22

ALL DIMENSION ARE IN MM

CLASS	HYD. TEST PRESSURE	
	BODY	SEAT
150	32 Kg / Cm ²	22 Kg / Cm ²
300	76 Kg / Cm ²	55 Kg / Cm ²

SUITABLE FOR				
STEAM	WATER	OIL	AIR	GAS
●	●	●	●	●