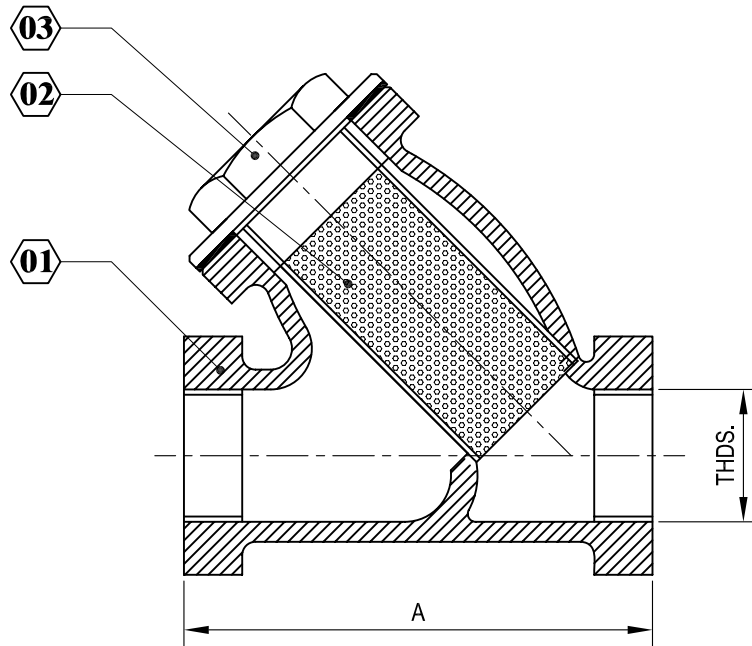


Y- TYPE STRAINER (SCREW END)

TECHNICAL DATA

FACE TO FACE : AS PER "Y" TYPE

END CONNECTIONS : SOCKED WELD TO ANSI 16.34



SR. NO.	PARTS NAME	MATERIAL	QTY.
01.	BODY	ASTM A 216 Gr. WCB	1
02.	SCREEN	S.S. 304 / S.S. 316 / G.M.	1
03.	COVER	ASTM A 216 Gr. WCB	1

SIZE	A
25	120
40	142
50	160
65	217
80	222
100	281

SERVICE RATING	
36 kg / cm ²	410° C
HYDRAULIC TEST PRESSURE	
BODY	54 kg / cm ²

SUITABLE FOR				
STEAM	WATER	OIL	AIR	GAS
●	●	●	●	●

DIMENSION ARE IN MM.