

Y- TYPE STRAINER (FLANGE END)

TECHNICAL DATA

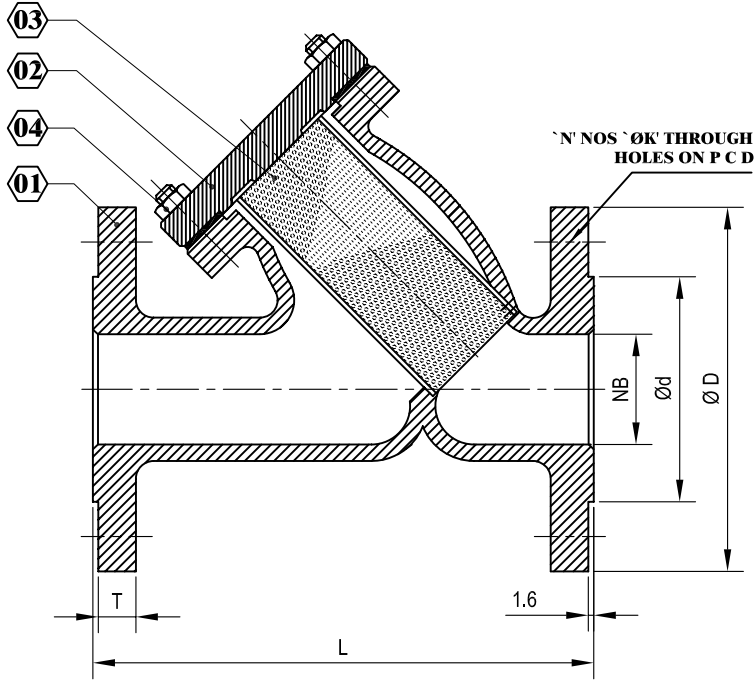
FACE TO FACE : AS PER DIN ND - 40 TYPE / ANSI B 16.10

END CONNECTIONS : FLANGED AS PER ANSI B 16.5

SHELL WALL THICKNESS : ANSI B 16.34



ISO 9001
COMPANY



SR. NO.	PARTS NAME	MATERIAL	QTY.
01.	BODY	ASTM A 216 Gr. WCB / CF8 / CF8M	1
02.	BONNET	ASTM A 216 Gr. WCB / CF8 / CF8M	1
03.	SCREEN	S.S. 304 / S.S. 316	1
04.	COVER STUD & NUT	ASTM A 193 Gr. B7 ASTM A 194 Gr. 2H	---

CLASS - 150								
SIZE	NB	L	ØD	Ød	P.C.D.	T	N	Ø K
25	25	127	108	51	79	11	4	16
40	38	165	127	73	98.5	14	4	16
50	51	178	152	92	120.5	16	4	19
65	64	190	178	105	140	17.5	4	19
80	76	203	190.5	127	152.4	19	4	19
100	102	229	229	157	190.5	24	8	19
150	152	267	279	216	241	25	8	22
200	203	495	343	270	298.4	28.5	8	22
250	254	622	406	324	362	30	12	25

DIMENSION ARE IN MM.

ND - 40								
SIZE	NB	L	ØD	Ød	P.C.D.	T	N	Ø K
25	25	160	115	68	85	18	4	14
40	38	200	150	88	110	18	4	18
50	51	230	165	102	125	20	4	18
65	64	290	185	122	145	22	8	18
80	76	310	200	138	160	24	8	18
100	102	350	235	162	190	24	8	23
150	152	480	300	218	250	28	8	27
200	203	600	375	285	320	35	12	30
250	254	730	450	345	385	38	12	30

DIMENSION ARE IN MM.

SERVICE RATING	
40 kg / cm ²	400° C
580 PSIG	
HYDRAULIC TEST PRESSURE	
BODY	80 kg / cm ²
	1160 PSIG

SUITABLE FOR				
STEAM	WATER	OIL	AIR	GAS
●	●	●	●	●